

MAXFIT *Metal Drawer*

Office Storage System





Contribute the style and efficiency

to your office storage system



- Designed for today's office system, cabinets, RTA, and home office furniture.
- Innovative assembly method resulting excellent quality drawer box at all time
- Practical and hassle-free design ensuring the drawer runs smoothly and quietly.
- Assembling is quick and simple.
- Most importantly quality proven and durable enough to withstand the heavy needs of every office.

MAXFIT *Metal Drawer*



MAXFIT 75 mm

- ❑ Single Extension
- ❑ Metal drawer side panels 75 mm
- ❑ 3 mm wood bottom panel
- ❑ Epoxy coated
- ❑ Load capacity of 20 kgs
- ❑ Self closing feature
- ❑ Front vertical adjustment
- ❑ Side clearance 31mm
- ❑ Double out stop safety feature
- ❑ Locked-in position when extended



MAXFIT 107 mm

- ❑ Single Extension
- ❑ Metal drawer side panels 107 mm
- ❑ 3 mm wood bottom panel
- ❑ Epoxy coated
- ❑ Load capacity of 20 kgs
- ❑ Self closing feature
- ❑ Front vertical adjustment
- ❑ Side clearance 31mm
- ❑ Double out stop safety feature
- ❑ Locked-in position when extended



MAXFIT 139 mm

- ❑ Single Extension
- ❑ Metal drawer side panels 139 mm
- ❑ 3 mm wood bottom panel
- ❑ Epoxy coated
- ❑ Load capacity of 20 kgs
- ❑ Self closing feature
- ❑ Front vertical adjustment
- ❑ Side clearance 31mm
- ❑ Double out stop safety feature
- ❑ Locked-in position when extended

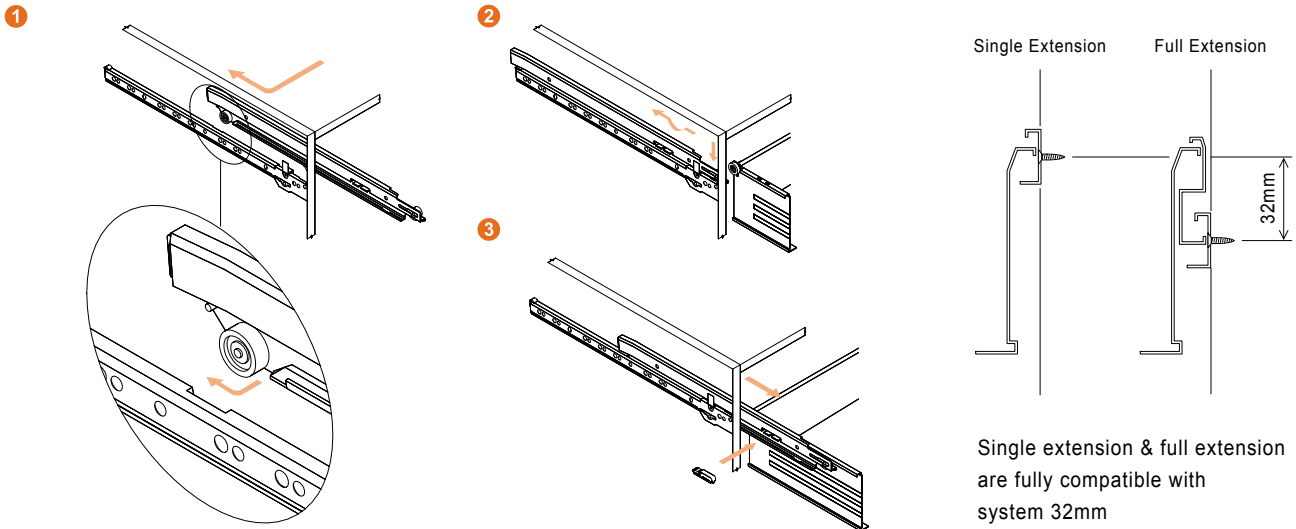


MAXFIT Lateral Filing System

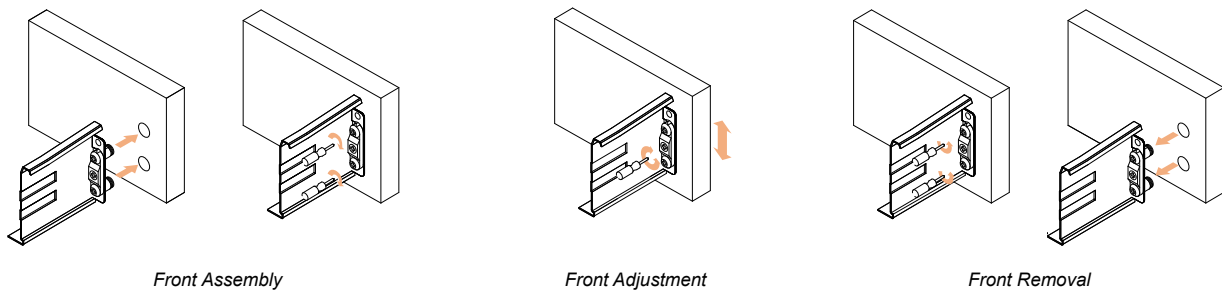
- ❑ Full Extension
- ❑ To work with 75, 107 & 139mm side panels
- ❑ Available for A4 and Foolscap file sizes
- ❑ 3 mm wood bottom panel
- ❑ Epoxy coated
- ❑ Load capacity of 30 kgs
- ❑ Self closing feature
- ❑ Front vertical adjustment
- ❑ Side clearance 31mm
- ❑ Double out stop safety feature

MAXFIT - Assembly and Adjustment

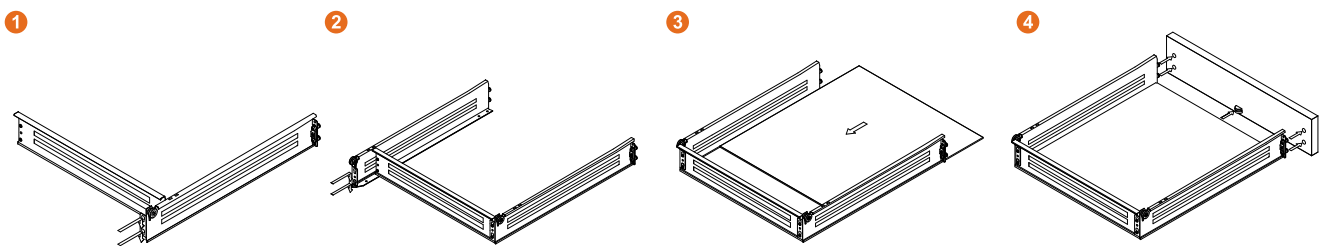
Full extension Assembly of Centre Member and Drawer Installation



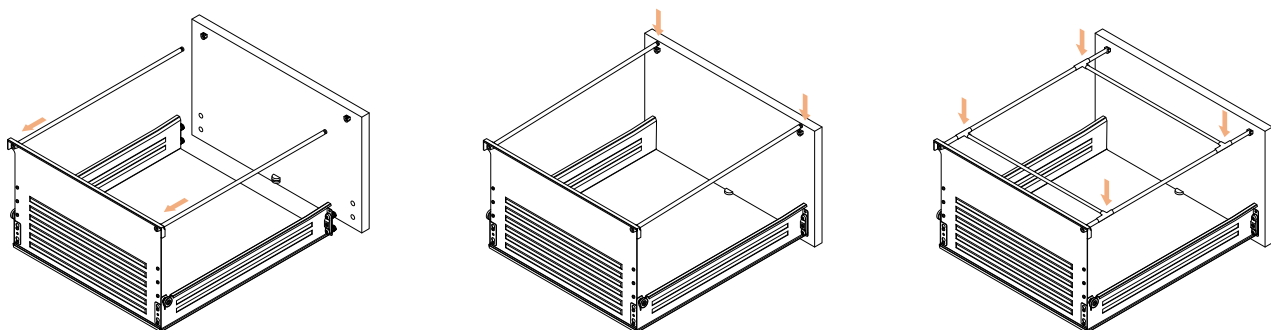
Drawer Front Assembly



Drawer Assembly-Metal Back



Filing System Assembly



Manufacturer :
Office & Factory Address

Q-FIT SDN BHD (521895-P)

16, Jalan Kilang 2, Kawasan Perindustrian Jelapang, □
30100 Ipoh, Perak, Malaysia.

Tel □ : □605-526 8863

Fax □ : □605-527 9863

E-mail □ : □qfit@po.jaring.my

Homepage □ : □www.qfitsb.com